

IR Outdoor Vandal Proof Dome Camera

EBD280FIR

420 TVL vandalproof IP66 fixed IR dome camera



20M

25M

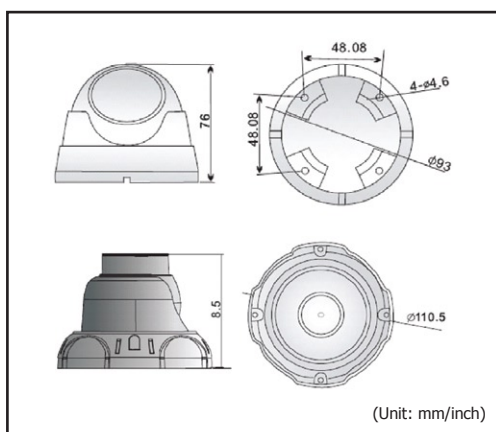
Features

- 1/3" Sony II Super HAD CCD, 420TVL
- With 3.6mm lens / 6mm lens
- IP66 Vandal-proof Body
- Super digital noise reduction
- Special design, easy installation and operation
- Certificates: CE, FCC, RoHs Compliant

Specifications

Model No.	EBD280FIR
Pixel	PAL:512H x 582V NTSC:512H x 492V
Sensor	1/3" Sony II Super HAD CCD
Scanning System	PAL/NTSC
Resolution	420TVL
Min. Illumination	0Lux/IR On, F2.0
DNR	Auto
S/N Ratio	≥48dB
Video Output	1.0Vp-p/75Ω
AGC	Auto
White Balance	Auto
Backlight Compensation	Auto
Exposure Mode	Electronic Exposure
Electronic Shutter	1/50(1/60) ~1/10000 Second
Gamma Correction	0.45
Sync. System	Internal
Lens	6mm/3.6mm Lens
IR Led	23pcs/ 24pcs
IR Distance	20M / 25M
Water Resistant Rate	IP66
External Case	Aluminium Alloy(Vandal proof)
Work Humidity	≤85%RH
Operation Temperature	-10°C~+50°C
Power Supply	DC12V±5%
Power Consumption	≤2W
Dimension	20M:93*76/mm, 25M:110.5*85/mm
Gross Weight	0.36kg
Certifications	CE, FCC and RoHS Compliant

Dimensions



Ordering Information

EBD280FIR-20Mtr : 1/3" sony II Super HAD CCD, 420 TVL, 0Lux, IR Dome 23LED, 6mm lens, IR: 20m, vandalproof camera, IP66

EBD280FIR-25Mtr : 1/3" sony II Super HAD CCD, 420 TVL, 0Lux, IR Dome 24LED, 3.6mm lens, IR: 25m, Vandalproof, IP66

* All product specifications are subject to change without notice

* Models vary in different countries. Please visit EverFocus regional website for detailed ordering information.