

3Axis Dome Camera

ECD280F - 3A

420 TVL Indoor fixed dome with 3 Axis



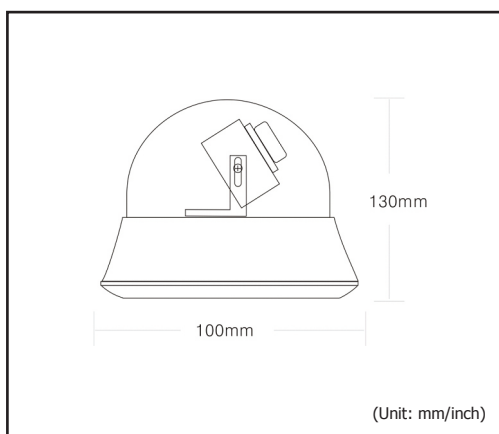
Features

- 1/3" Sony II super HAD CCD, 420TVL
- With 3.6mm lens
- Unique design
- 3Axis
- Plastic housing
- Easy installation
- Certificates: CE, FCC, RoHs Compliant

Specifications

Model No.	ECD280F - 3A
Pixel	PAL:512H x 582V NTSC:512H x 492V
Sensor	1/3" Sony II super HAD CCD
Scanning System	PAL/NTSC
Resolution	420TVL
Min. Illumination	0.8LUX, F2.0
DNR	Auto
S/N Ratio	≥48dB
Video Output	1.0Vp-p/75Ω
AGC	Auto
White Balance	Auto
Backlight Compensation	Auto
Exposure Mode	Electronic Exposure
Electronic Shutter	1/50(1/60) ~1/10000 Second
Gamma Correction	0.45
Sync. System	Internal
Lens	3.6mm Lens
External Case	Plastic
Work Humidity	≤85%RH
Operation Temperature	-10°C~+50°C
Power Supply	DC12V±5%
Power Consumption	≤2W
Dimension	147*95/mm
Net Weight	0.25kg
Certifications	CE, FCC and RoHS Compliant

Dimensions



Ordering Information

ECD280F-3A (3.6mm) : 1/3" sony II Super HAD CCD, 420 TVL, 0.8Lux, 3.6mm lens(3 Axis)

* All product specifications are subject to change without notice

* Models vary in different countries. Please visit EverFocus regional website for detailed ordering information.