

Normal Dome Camera

Normal Dome Camera

ECD280F

420 TVL Indoor Dome Camera



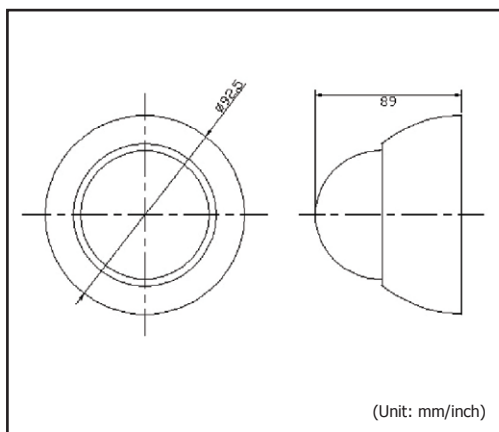
Features

- Plastic Design furnished with Black/ White body
- Available with 420TVL of Horizontal Resolution
- Unique design, easy installation
- Fixed lenses of 3.6mm lens
- Built-in Auto Dynamic Noise Reduction
- Auto White Balance
- Auto Back Light Compensation
- Certificates: CE, FCC, RoHs Compliant

Specifications

Model No.	ECD280F
Pixel	PAL:512H x 582V NTSC:512H x 492V
Sensor	1/3" Sony II super HAD CCD
Scanning System	PAL/NTSC
Resolution	420TVL
Min. Illumination	0.8LUX, F2.0
DNR	Auto
S/N Ratio	≥48dB
Video Output	1.0Vp-p/75Ω
AGC	Auto
White Balance	Auto
Backlight Compensation	Auto
Exposure Mode	Electronic Exposure
Electronic Shutter	1/50(1/60) ~1/10000 Second
Gamma Correction	0.45
Sync. System	Internal
Lens	3.6mm lens
External Case	Plastic
Work Humidity	≤85%RH
Operation Temperature	-10°C~+50°C
Power Supply	DC12V±5%
Power Consumption	≤2W
Dimension	92.5*89/mm
Gross Weight	0.23kg
Certifications	CE, FCC and RoHS

Dimensions



Ordering Information

ECD280F : 1/3" Color Sony II Super HAD CCD, 420 TVL, 0.8Lux, 3.6mm lens

* All product specifications are subject to change without notice

* Models vary in different countries. Please visit EverFocus regional website for detailed ordering information.