

3Axis Dome Camera

3Axis Dome Camera

ECD380F- 3A

540 TVL Indoor fixed dome with 3 Axis



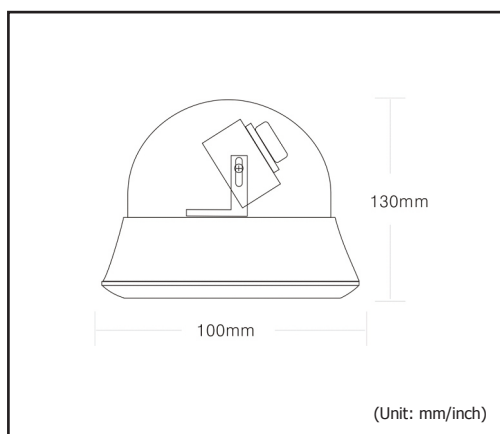
Features

- 1/3" Sony super HAD II CCD ,540TVL
- Glossy white color housing as picture
- With 3.6mm / 6mm lens
- Super digital noise reduction (DNR)
- Unique design,3Axis,Plastic housing, easy installation
- Certificates: CE, FCC, RoHS Compliant

Specifications

Model No.	ECD380F- 3A
Pixel	PAL:752H x 582V NTSC:768H x 494V
Sensor	1/3" Sony Super HAD II CCD
Scanning System	PAL/NTSC
Resolution	540TVL
Min. Illumination	0.5Lux, F2.0
DNR	Auto
S/N Ratio	≥48dB
Video Output	1.0Vp-p/75Ω
AGC	Auto
White Balance	Auto
Backlight consumption	Auto
Exposure Mode	Electronic Exposure
Electronic Shutter	1/50(1/60) ~1/10000 Second
Gamma Correction	0.45
Sync. System	Internal
Lens	3.6mm fixed lens
Work Humidity	≤85%RH
Power Supply	DC12V±5%
Power Consumption	≤2W
Operation Temp.	-10°C~+50°C
Dimensions	100.0x130.(H)/mm
Gross Weight	0.31kg
Certifications	CE, FCC and RoHS Compliant

Dimensions



Ordering Information

ECD380F-3A (3.6mm) : 1/3" sony II Super HAD CCD, 540 TVL, 0.5Lux, 3.6mm lens(3 Axis)

* All product specifications are subject to change without notice

* Models vary in different countries. Please visit EverFocus regional website for detailed ordering information.