

Normal Dome Camera

Normal Dome Camera

ECD380F

540 TVL Indoor Dome camera



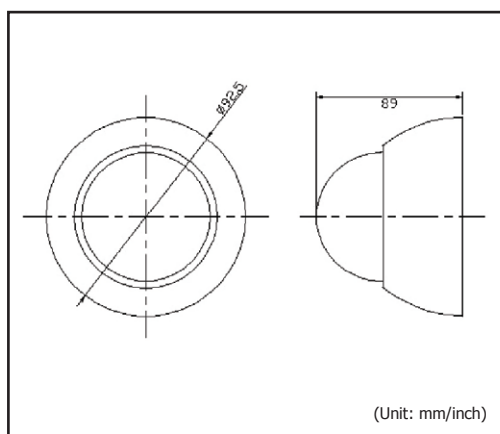
Features

- 1/3" Sony II super HAD CCD, 540TVL
- Unique design, easy installation
- Fixed lens of 3.6mm lens
- Built-in Auto Dynamic Noise Reduction
- Auto White Balance
- Auto Back Light Compensation
- Certificates: CE, FCC, RoHs Complaint

Specifications

Model No.	ECD380F
Pixel	PAL:752H x 582V NTSC:768H x 494V
Sensor	1/3" Sony II super HAD CCD
Scanning System	PAL/NTSC
Resolution	540TVL
Min. Illumination	0.5Lux, F2.0
DNR	Auto
S/N Ratio	≥48dB
Video Output	1.0Vp-p/75Ω
AGC	Auto
White Balance	Auto
Backlight Compensation	Auto
Exposure Mode	Electronic Exposure
Electronic Shutter	1/50(1/60) ~1/10000 Second
Gamma Correction	0.45
Sync. System	Internal
Lens	3.6mm lens
External Case	Plastic
Work Humidity	≤85%RH
Operation Temperature	-10°C~+50°C
Power Supply	DC12V±5%
Power Consumption	≤2W
Dimension	92.5*89/mm
Gross Weight	0.23kg
Certifications	CE, FCC and RoHS

Dimensions



Ordering Information

ECD380F : 1/3" Color Sony II Super HAD CCD ,540 TVL, 0.5Lux, 3.6mm lens

* All product specifications are subject to change without notice

* Models vary in different countries. Please visit EverFocus regional website for detailed ordering information.