

IR Vandal Weather Proof Bullet Camera

ECZ280FIR

420 TVL vandalproof IP66 fixed outdoor IR bullet camera



15M



25M



30M



40M

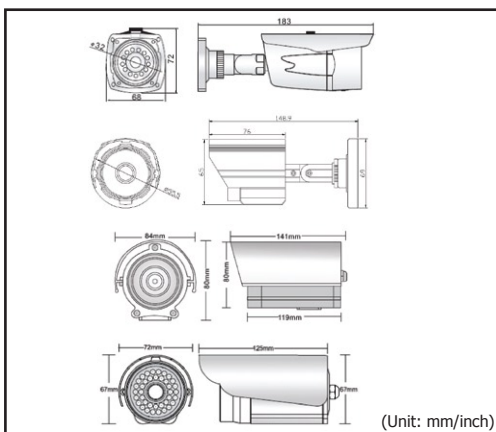
Features

- 1/3" Sony II Super HAD CCD, 420TVL
- IR LED, With standard 3.6mm / 6mm lens
- IP66 Vandal-proof Body, IR view in open area
- Special design, easy installation and operation
- Auto Dynamic Noise Reduction
- Auto White Balance
- Auto Back Light Compensation
- Certificates: CE, FCC, RoHs Compliant

Specifications

Model No.	ECZ280FIR
Pixel	PAL:512H x 582V NTSC:512H x 492V
Sensor	1/3" Sony II Super HAD CCD
Scanning System	PAL/NTSC
Resolution	420TVL
Min. Illumination	0 Lux/IR On, F2.0
DNR	Auto
S/N Ratio	≥48dB
Video Output	1.0Vp-p/75Ω
AGC	Auto
White Balance	Auto
Backlight Compensation	Auto
Exposure Mode	Electronic Exposure
Electronic Shutter	1/50(1/60) ~1/10000 Second
Gamma Correction	0.45
Sync. System	Internal
Lens	3.6mm/6MM Lens
IR Led	12pcs/24pcs/30pcs/54pcs
IR Distance	15M/25M/30M/40M
Water Resistant Rate	IP66
External Case	Aluminium Alloy(Vandal proof)
Work Humidity	≤85%RH
Operation Temperature	-10°C~+50°C
Power Supply	DC12V±5%
Power Consumption	≤6W
Dimension	15M:183*68*72/mm, 25M:148.9*55.5*69/mm, 40M:84*80*141/mm, 30M:72*67*125/mm
Gross Weight	500g
Certifications	CE, FCC and RoHS

Dimensions



Ordering Information

ECZ280FIR-15Mtr : 1/3" sony II Super HAD CCD, 420 TVL, 0Lux, 12LED, 3.6mm lens, IR: 15m, with 3 Axis bracket, vandalproof, IP66

ECZ280FIR-30Mtr : 1/3" sony II Super HAD CCD, 420 TVL, 0Lux, 30pcs IR LED, 6mm lens, IR: 30m, without bracket, VandalProof, IP66 (3.6mm lens optional)

ECZ280FIR-25Mtr : 1/3" sony II Super HAD CCD, 420 TVL, 0Lux, 24pcs IR LED, 6mm lens, IR: 25m with bracket, Vandalproof, IP66

ECZ280FIR-40Mtr : 1/3" sony II Super HAD CCD, 420 TVL, 0Lux, 54pcs white IR LED, without bracket, 6mm lens, IR: 40m, Vandalproof, IP66

* All product specifications are subject to change without notice

* Models vary in different countries. Please visit EverFocus regional website for detailed ordering information.