

IR Vandal Weather Proof Bullet Camera

IR Vandal Weather Proof Bullet Camera

ECZ651FIR

sony Effio-E, 650 TVL vandalproof
IP66 fixed outdoor IR bullet camera



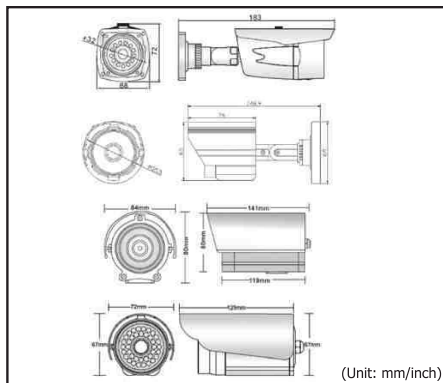
Features

- Sony Effio-E, 650TVL
- IR LED, With standard 3.6mm / 6mm lens
- IP66 Vandal-proof Body
- IR view distance 15M, 25M, 30M and 40M in open area
- Special design, easy installation and operation
- Certificates: CE, FCC, RoHs Complaint

Specifications

Model No.	ECZ651FIR
Pixel	PAL:976H x 582V NTSC:976H x 494V
Sensor	Sony Effio-E
Scanning System	PAL/NTSC
Resolution	650TVL
Min. Illumination	0Lux/IR On, F2.0
DNR	Auto
S/N Ratio	≥ 48dB
Video Output	1.0Vp-p/75Ω
AGC	Auto
White Balance	Auto
Backlight Compensation	Auto
Exposure Mode	Electronic Exposure
Electronic Shutter	1/50(1/60) ~1/10000 Second
Gamma Correction	0.45
Sync. System	Internal
Lens	3.6mm/6MM Lens
IR Led	12pcs/24pcs/30pcs/54pcs
IR Distance	15M/25M/30M/40M
Water Resistant Rate	IP66
External Case	Aluminium Alloy(Vandal proof)
Work Humidity	≤85%RH
Operation Temperature	-10°C~+50°C
Power Supply	DC12V±5%
Power Consumption	≤ 6W
Dimension	15M:183*68*72/mm, 25M:148.9*55.5*69/mm, 40M:84*80*141/mm, 30M:72*67*125/mm
Gross Weight	500g
Certifications	CE, FCC and RoHS Compliant

Dimensions



Ordering Information

ECZ651FIR-15Mtr : 1/3" sony Effio-E, 650 TVL, 0Lux, 12LED, 3.6mm lens, IR: 15m, with 3 Axis bracket, vandalproof, IP66

ECZ651FIR-30Mtr : 1/3" sony Effio-E, 650 TVL, 0Lux, 30pcs IR LED, 6mm lens, IR: 30m, without bracket,VandalProof, IP66 (3.6mm lens optional)

ECZ651FIR-25Mtr : 1/3" sony Effio-E, 650 TVL, 0Lux, 24pcs IR LED, 6mm lens, IR: 25m with bracket, Vandalproof, IP66

ECZ651FIR-40Mtr : 1/3" sony Effio-E, 650 TVL, 0Lux, 54pcs white IR LED, without bracket, 6mm lens, IR: 40m,Vandalproof,IP66

* All product specifications are subject to change without notice

* Models vary in different countries. Please visit EverFocus regional website for detailed ordering information.

EverFocus®