

H.264 HD Network Camera EQN2200/2201

neVIO **HD**
Series

Q-cam Network Camera (Preliminary)



Specifications:

MODEL	EQN2200: wired interface EQN2201: wired and wireless interface
CAMERA	
Pickup Device	1/3" progressive scan CMOS sensor, 2 Megapixel
Lens	4.3mm/F=1.8
Sensitivity	0.5Lux /F=1.8
VIDEO STREAMING	
Video Compression	H.264/M-JPEG
Video Resolution	1600x1200 to 160x120
Frame Rate	1600x1200@10fps, 1280x960@15fps, 720p lower@ 30fps
AUDIO	
Microphone & Speaker	Built-in
Operation Mode	Two-way audio
NETWORK	
Interface	10Base-T/100Base-TX auto-negotiation, RJ-45 socket Support MDI/MDI-X auto crossover function Built-in IEEE 802.11b/g WLAN (for EQN2201)
Supported Protocols	HTTP, TCP / IP, UDP, RTP, RTSP, FTP, SMTP, DHCP, DNS, DDNS, NTP, ONVIF, PSIA
TERMINAL I/O	
Alarm Input/Output	1/1
EVENT MANAGEMENT	
Event Trigger	Alarm Input, Manual Trigger, Motion Detection
Notification	Trigger alarm output, Send mail notification, Upload video to FTP and Network alarm
POWER	
Power Supply	5VDC
Power Consumption	EQN2200: 3.5W max. EQN2201: 4.0W max.
PHYSICAL	
Weight	140g / 0.31lbs
Dimension	97 (H) x 66(W) x 55(D) mm / 3.8" x 2.6" x 2.2"
ENVIRONMENTAL	
Operating Temp.	0°C ~ 40°C / 32°F ~ 104°F
Humidity	< 90% not condensin

Features:

- 2 Megapixel Image Capture (Max. Resolution : 1600x1200)
- Built in H.264 and M-JPEG dual stream output at 720p image size with up to 30fps
- Integrated fix focus wide angle lens (4.3 mm), adjustable focus
- Full Screen Monitoring
- Two-way Audio Capability
- Built-in Microphone & Speaker
- Image Transfer by Motion Detection, Digital I/O
- Smart wizard event management
- Plug-and-play Installation
- Image Date and Time Stamp
- Built-in 802.11g/b Wireless (EQN2201)

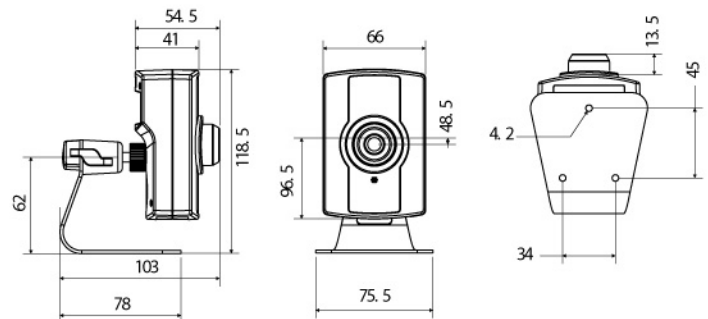
Ordering Information:

- G220001AA0002R: Q-cam NetowrkCAM, US power
- G220001AA0003R: Q-cam NetowrkCAM, EU power
- G220101AA0002R: Q-cam NetowrkCAM, w/US WLAN, US power
- G220101AA0001R: Q-cam NetowrkCAM, w/EU WLAN,EU power

*Models vary in different countries.

Please visit EverFocus regional websites for detailed ordering information.

Dimensions:



(Unit:mm)

*Visit www.everfocus.com for complete product line

Notice:

© 2005~2008 EverFocus Electronics Corp. EverFocus is a registered trademark of EverFocus Electronics Corp. All rights reserved. Product features and specifications are subject to change without notice. No parts or contents of this datasheet may be reproduced or transmitted in any form or by any means without permission from EverFocus.
 * Not all models featured are available in all countries. For accessories and other product information, please visit www.everfocus.com
 * Safety Precaution: Please read all operating instructions and installation manual carefully before using this product.
 * EverFocus is not responsible for network performance and/or other manufacturer products that reside on the network
 * All product weights and dimensions are approximate.
 * All products may be subject to export control regulations
 * All product photographs were taken for the purpose of explanation. Actual images may differ.
 * This datasheet is designed and printed in Taiwan.